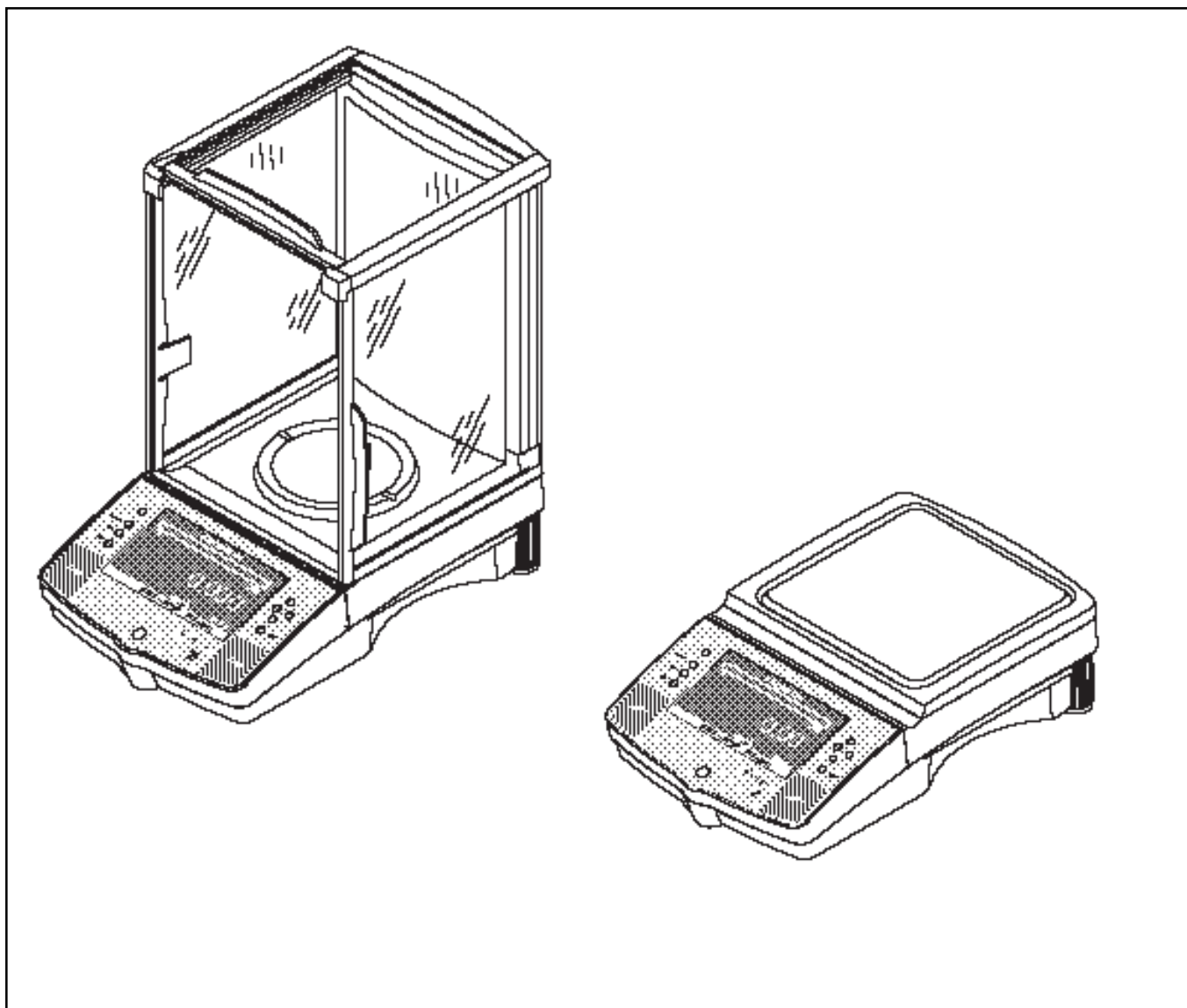




Ohaus Corporation
29 Hanover Road
Florham Park, NJ
07932-0900

Operating instructions

Voyager balances



Contents

OVERVIEW OF CONTROLS	8
1. GETTING TO KNOW YOUR VOYAGER BALANCE	9
1.1 Introduction	9
1.2 Overview of the Voyager balance	9
1.3 What you should know about these instructions	10
1.4 Safety is first	10
2. INSTALLATION	11
2.1 Unpacking and checking the standard equipment	11
2.2 Selecting the location	12
2.3 Leveling the balance	12
2.4 Installing cover plate and pan	12
2.5 Installing wind shield	13
2.6 Power supply	13
2.7 Switching the balance on or off	14
2.8 Weigh below preparation	14
3. THE MENU	15
3.1 What is the menu?	15
3.2 Menu operation	16
3.3 Library	17
4. CALIBRATION	18
4.1 Span calibration	20
4.2 Linearity calibration	21
4.3 User calibration	22
4.4 Calibration test	23
4.5 Auto calibration	24
4.6 AutoCal™ delta correction	25

5.	WEIGHING MADE SIMPLE	26
5.1	Selecting a weighing unit	26
5.2	Taring the balance	27
5.3	Performing a simple weighing	27
5.4	Custom unit	28
6.	BALANCE MODES	31
6.1	Parts counting	31
	6.1.1 Easy count	31
	6.1.2 Advanced counting	32
6.2	Filling	33
6.3	Animal weighing	34
6.4	Check weighing	35
6.5	Differential weighing	36
6.6	Formulation	41
6.7	Quick check weighing	43
6.8	Statistics/function link	44
6.9	Density	45
	6.9.1 Balance preparation with density kit	45
	6.9.2 Solid density determination for items more dense than water	46
	6.9.3 Solid density determination for items less dense than water	48
	6.9.4 Improving the accuracy of the result of solid density	49
	6.9.5 Liquid density determination	50
6.10	Statistical quality control (SQC)	51
	6.10.1 Resuming a particular SQC setup	54
	6.10.2 Specifying a new SQC setup	55
	6.10.3 Redoing or correcting a batch	56
6.11	Pipette calibration	57
7.	BALANCE SETTINGS	62
7.1	Reset to factory settings	62
7.2	Setting contrast and brightness of the display	62
7.3	Setting the readout	63
7.4	Setting the interface	64
7.5	Setting print option	65

7.6	Setting GLP print options	66
7.7	Setting time and date	67
7.8	Setting auto calibration	68
7.9	Print current settings	68
7.10	Lock out	69
7.11	Software version	70
7.12	Setting custom menu	70
7.13	Legal for trade	71
7.14	Menu lock-out protection	72
8.	RS232 INTERFACE/PRINTING DATA	73
8.1	RS232 interface	73
8.2	Printing data	76
9.	CARE AND MAINTENANCE	79
9.1	Troubleshooting	79
9.2	Error codes list	80
9.3	Information messages	81
9.4	Service information	81
9.5	Replacement parts	81
9.6	Accessories	81
9.7	Specifications	82
A	APPENDIX SPECIAL APPLICATIONS	83
A-1	Sieve analysis	83
A-2	Porous material density determinations	86

This is a “Table of Contents preview” for quality assurance

The full manual can be purchased from our store:

[https://the-checkout-tech.com/manuals/ohaus/Voyager user manual.html](https://the-checkout-tech.com/manuals/ohaus/Voyager%20user%20manual.html)

And our free Online Keysheet maker:

<https://the-checkout-tech.com/Cash-Register-Keysheet-Creator/>

[HTTPS://THE-CHECKOUT-TECH.COM](https://THE-CHECKOUT-TECH.COM)